

AURORALIGHT

PROJECT: _____

SKU #: _____

TYPE: _____

ARTEMIS

MNL650211

The Moonlighter series of LED pendant luminaires is the latest addition to our growing line of innovative and exquisite down lighting. This luminaire is ideal for creating ambient lighting in intimate outdoor spaces.

- Cree LED™ XLAMP® Extreme High Power (XHP)
- Thermally Integrated® w/ Copper Core Technology®
- Solid brass and copper construction
- Ideal for trees, patios and architectural features

CONFIGURATOR:

| | | |
|--|---|---|
| MNL650211 | LED | FINISH |
| | <input type="text"/> | <input type="text"/> |
| () = Most common configuration | (2716) 2700K 16W (3016) 3000K 16W | (NAT) Natural Brass (BLP) Bronze Living Patina (BLPX) Extra Dark BLP (NI) Nickel PVD |



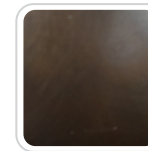
AVAILABLE FINISHES:



NAT
Natural Brass/
Copper



BLP
Bronze Living
Patina

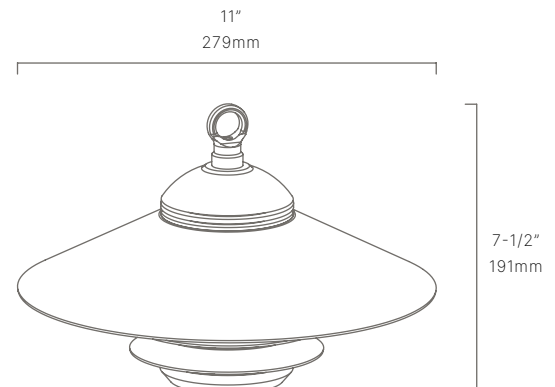


BLPX
Extra Dark Bronze
Living Patina



NI
Nickel PVD

| | |
|--------------------|------------------------------------|
| FIXTURE DIMENSIONS | D11" x H7-1/2" |
| LIGHT SOURCE | Integrated LED |
| COLOR TEMPERATURES | 2700K, 3000K |
| WATTAGES | 16W |
| CRI (RA) | 80 CRI |
| VOLTAGE | 12V |
| DELIVERED LUMENS | 330lm (3000K) |
| DIMMABLE | Yes, Dim to <10% via Transformer |
| DRIVER | Yes, 12V Integral Constant Current |
| TRANSFORMER | No, 12V AC/DC Transformer Required |
| MOUNT | Not Included |
| ACCESSORIES | Yes, Not Included |
| FINISH | Included Natural |
| MATERIAL | Brass & Copper |
| WIRE LENGTH | 24" |
| LOCATION | Exterior Wet |
| CERTIFICATIONS | UL, IP66, IP67, Dark Sky |



*For complete warranty terms, please visit: www.auroralight.com/warranty/

P. 760.931.2910

O. 2742 Loker Ave. W Carlsbad CA 92010

W. www.auroralight.com

MADE IN USA
WITH DOMESTIC & IMPORTED MATERIALS



AURORALIGHT

PROJECT: _____

SKU #: _____

TYPE: _____

ADD-ONS

ACCESSORIES

BCH018

18" Brass Chain

BCH036

36" Brass Chain

P. 760.931.2910

O. 2742 Loker Ave. W Carlsbad CA 92010

W. www.auroralight.com

MADE IN USA
WITH DOMESTIC & IMPORTED MATERIALS

